

TORLYS Smart Step

Stair Nose Installation Instructions

When installing on stairs, there is no need to have an expansion joint between treads and risers. As per building code, the floor will not be floated, it will be glued down.

Under no circumstances should additional underlayment be used on stair steps. This would result in an unsafe condition.

The new “flush-mount” TORLYS Smart Step stair nose will be glued to the stair tread and landing in a fully adhered system; the use of face nailing, or tape, can help to hold the nosing and flooring in place while the adhesive cures.

A. Use of adhesive

The proper adhesive for gluing down TORLYS Smart Step is PL Premium Max or equivalent. Follow the manufacturer recommended procedure for the adhesive. Do not track this adhesive onto the surface of the flooring, as it is very difficult to remove once cured.

B. Preparation of the existing stairs

1. Treads and landings must be structurally sound, flat, dry, clean, smooth, and free from paint, varnish, wax, oils, solvents, or any foreign substance that could interfere with the bond.
2. Cut off any existing bullnose flush with the riser of the stair or fill in the riser to be flush with the bullnose and tread.
3. It is possible that if the bullnose protrudes, trimming it off may make the stair tread too narrow and unsafe; check local building codes for any stair requirements before modifying the dimensions of the tread.

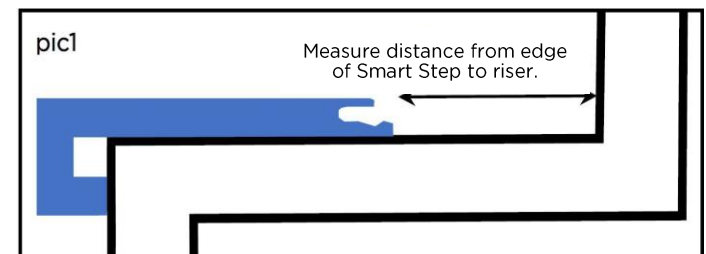
C. Installation of TORLYS Smart Step

***TORLYS Smart Step accommodates the floor’s locking system milled on the long side; starting your installation at the stair nosing will allow you to click or engage the factory edge of the flooring into the nosing.**

****The first 12-16” of flooring against the top nosing should be glued in place using PL Premium Max or equivalent.**

1. Starting on the stair treads, first measure the length of the tread and cut the TORLYS Smart Step to size (no expansion space required).
 - Next, dry-lay the cut piece of the TORLYS Smart Step on the tread, measure the distance from the edge of the Smart Step to the riser and cut flooring* to fill that space. (pic1)

*Select flooring pieces that best match the Smart Step in colour and shade.



2. Connect the cut flooring to the Smart Step and dry-fit before gluing it into place**.

** First click the cut piece into the Smart Step joint, before pressing it into the glue on the tread. For nosings without an additional underlay, it is recommended to lightly sand the backing to ensure a good bond.

3. For a perfect finish, the filling of face nailing holes or space between the Smart Step and the stringers may be done using wood filler or colour matching silicone.

Note: on landings, undercutting the perimeter of railing post(s) may give the best finished look.

D. Installation of TORLYS Smart Step on open staircases or if installing the flooring perpendicular to the nosing

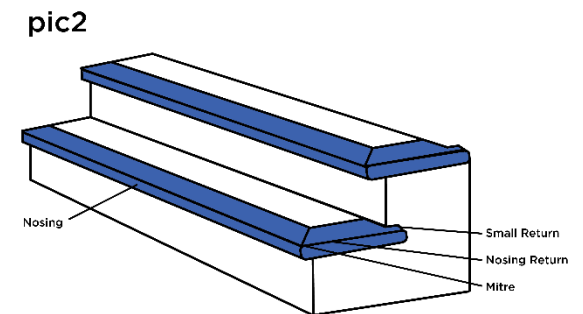
Although installing the flooring perpendicular to the Smart Step is not an ideal application, it is possible to successfully do so. Review the above instructions to properly prepare the type of flooring you are using. *

With random length flooring, the varying plank lengths can be installed into the Smart Step. With fixed length products, a stagger still must be maintained; it may be necessary to create a matching bevel on the cut ends using a sanding block and touch up marker.

*Note: the first 12-16" of flooring against the top nosing should be glued in place using PL Premium Max or equivalent.

On open ended steps, the nosing is mitred on the outside corner at the open stringer and the factory edges (tongues) of the plank fitted at the mitre. If the nosing extends past the riser, a small return is required at the end of the nosing at the open stringer. (pic2)

In the event these instructions do not address your jobsite requirements, please contact our Customer Service Department at 1-855-4TORLYS to be put in touch with our Technical Department.



Head Office: TORLYS Inc.
1900 Derry Road E., Mississauga, Ontario, L5S 1Y6 Canada
www.torlys.com